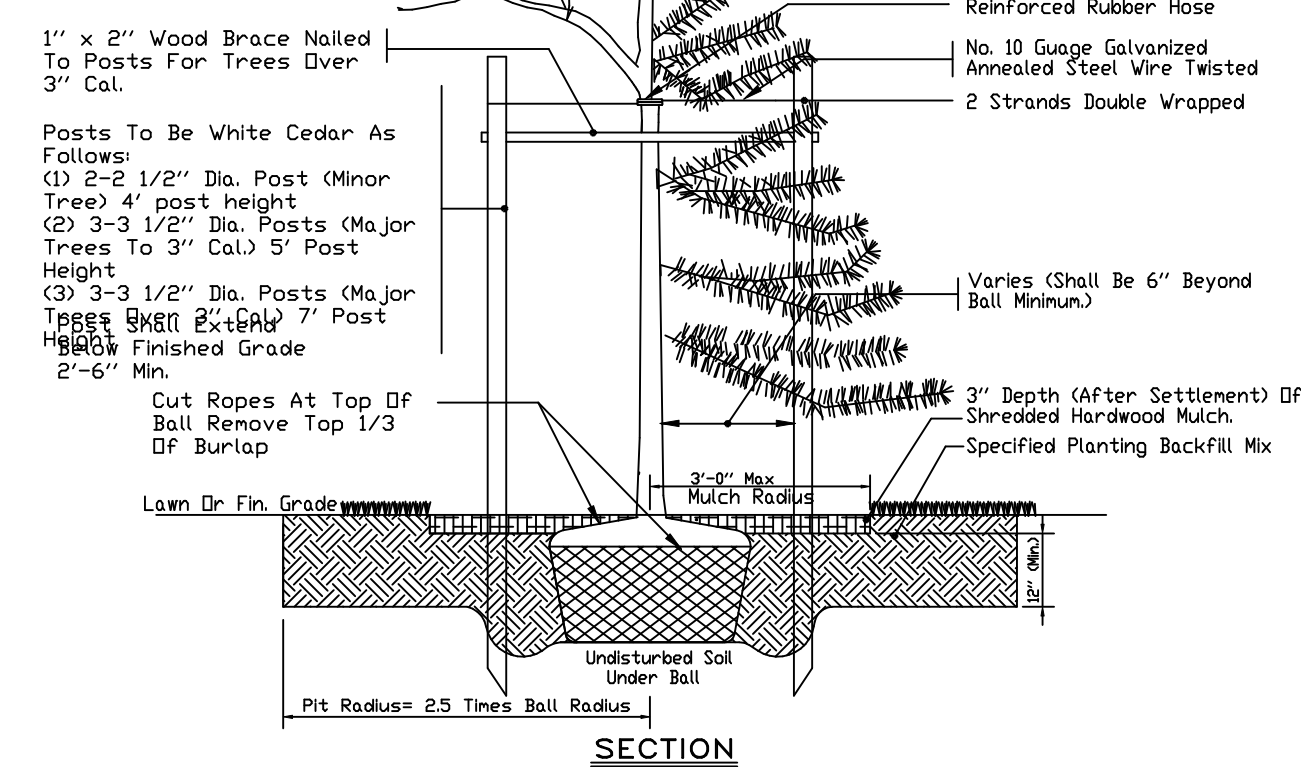
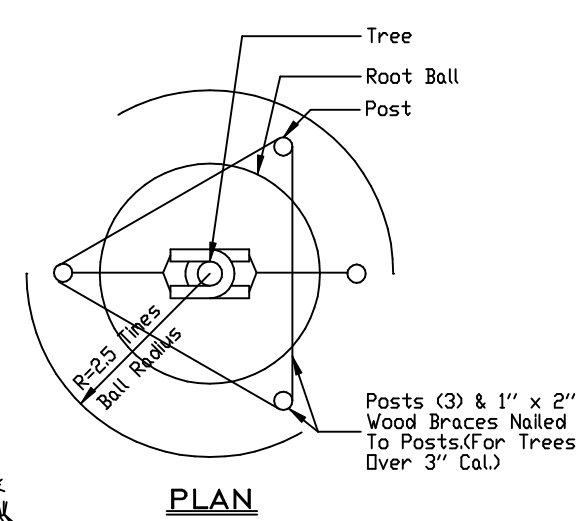


Landscape Notes

1. This Drawing Shall Be Used For Landscape Development Purposes Only.
2. Mulch All New And Existing Plant Beds And Tree Pits To Achieve A 3" Depth Of Shredded Hardwood Bark Mulch (After Settlement).
3. All Proposed Landscape Plants Are To Be Guaranteed For A Two Year Period.
4. All Areas Beyond The Limit Of Lawn/Groundcover That Are Disturbed By Construction Operations Shall Be Repaired As Required And Reseeded To Preconstruction Condition And/Or To Comply With Standards Indicated On The Soil Erosion And Sediment Control Plan.

PLANTING NOTES:

Crown Of Root Ball Shall Bear Same Relation (Or Slightly Above) To Finished Grade As It Bore To Previous Grade. Remove Any Excess Soil Thrown Against Trunk During Digging Process. To Expose Root Balls Or Destroy Root Ball When Installing. Cut Ropes At Top Of Ball Remove Top 1/3 Of Burlap.



Tree Planting Detail
Not To Scale

LANDSCAPE MATERIAL LEGEND

- CORNUS KOUSA - KOUSA DOGWOOD - 6'-8" B&B - 2 EA.
- THUJA OCCIDENTALIS NIGRA - DARK AMERICAN ARBORVITAE - 6'-8" B&B - 5'C-C - 17 EA.
- AZALEA-VARIOUS (MOTHER'S DAY, POUKHANENSIS, DELAWARE VALLEY WHITE - 9 EA. 18" TO 24" (#2 CAN)
- OLD GOLD JUNIPER 2- TO 2-1/2"-B&B - 9 EA.
- HOLLY 2- TO 2-1/2"-B&B - 9 EA.

LIGHT SHIELDS FOR LIGHT FIXTURES

D-Series Size 0 LED Area Luminaire

Specifications

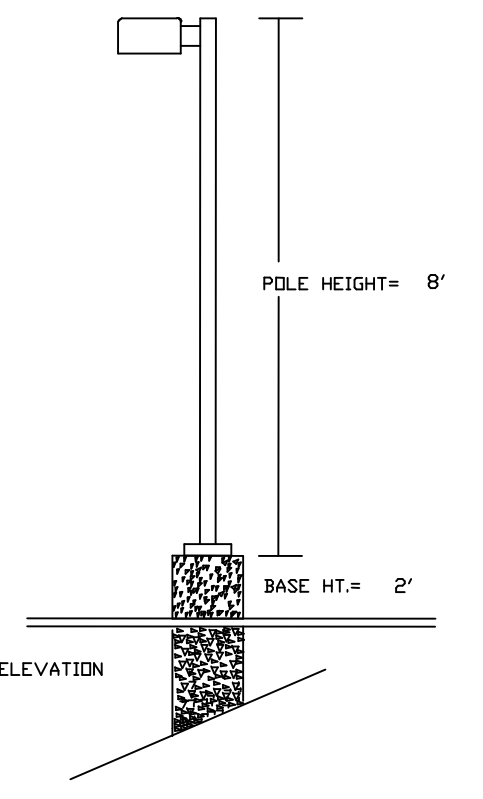
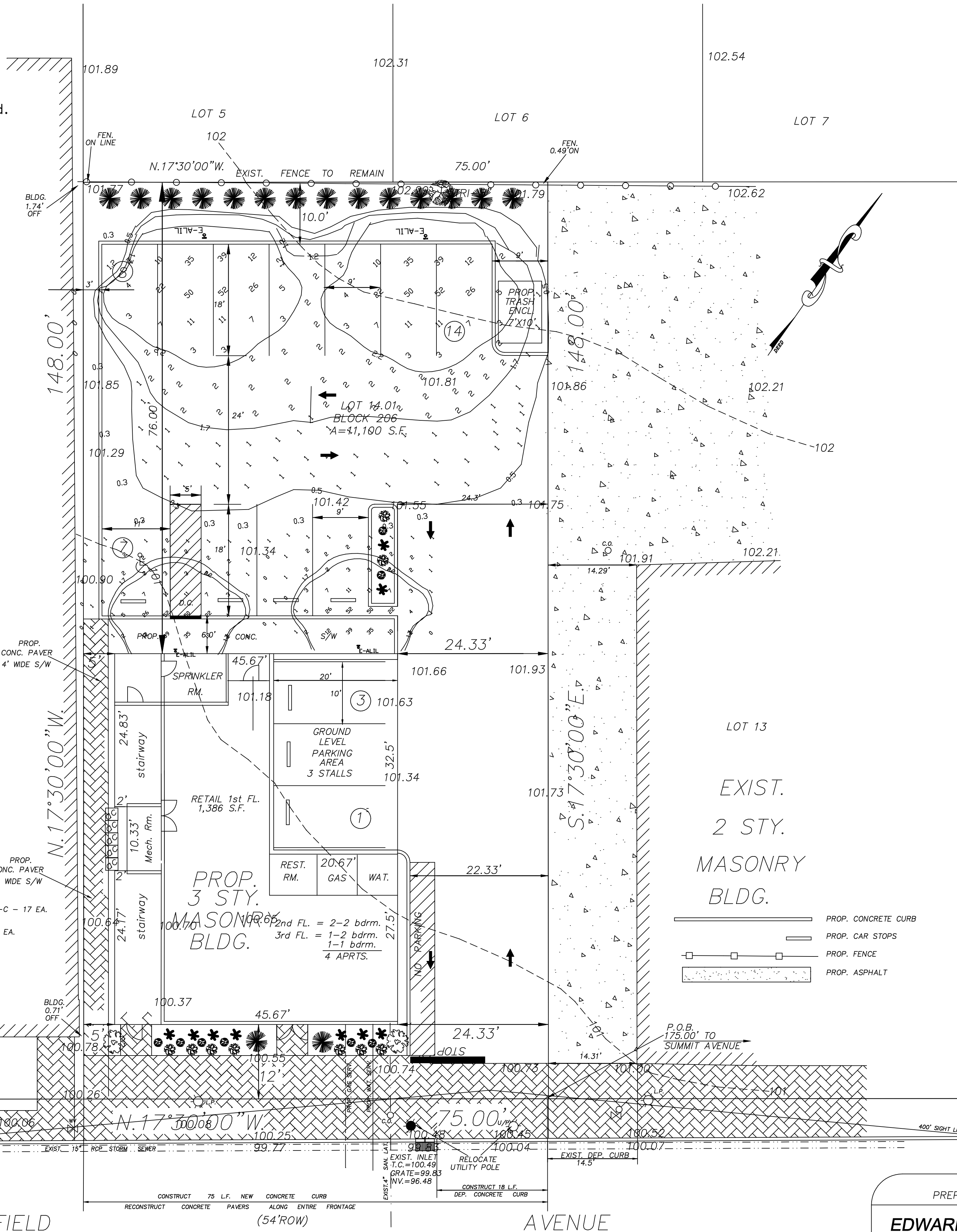
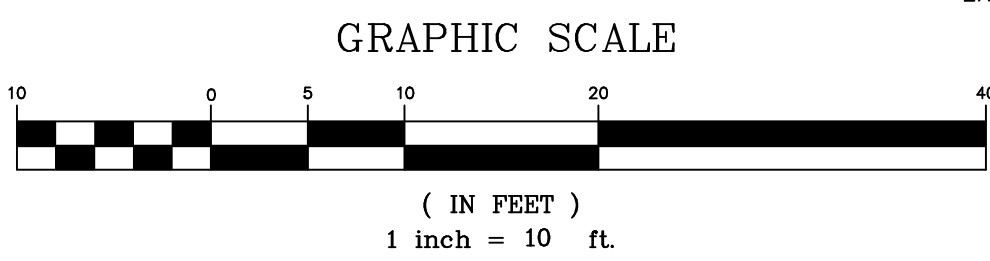
- Length: 20"
- Width: 13"
- Height: 7"
- Weight: 16 lbs

Ordering Information

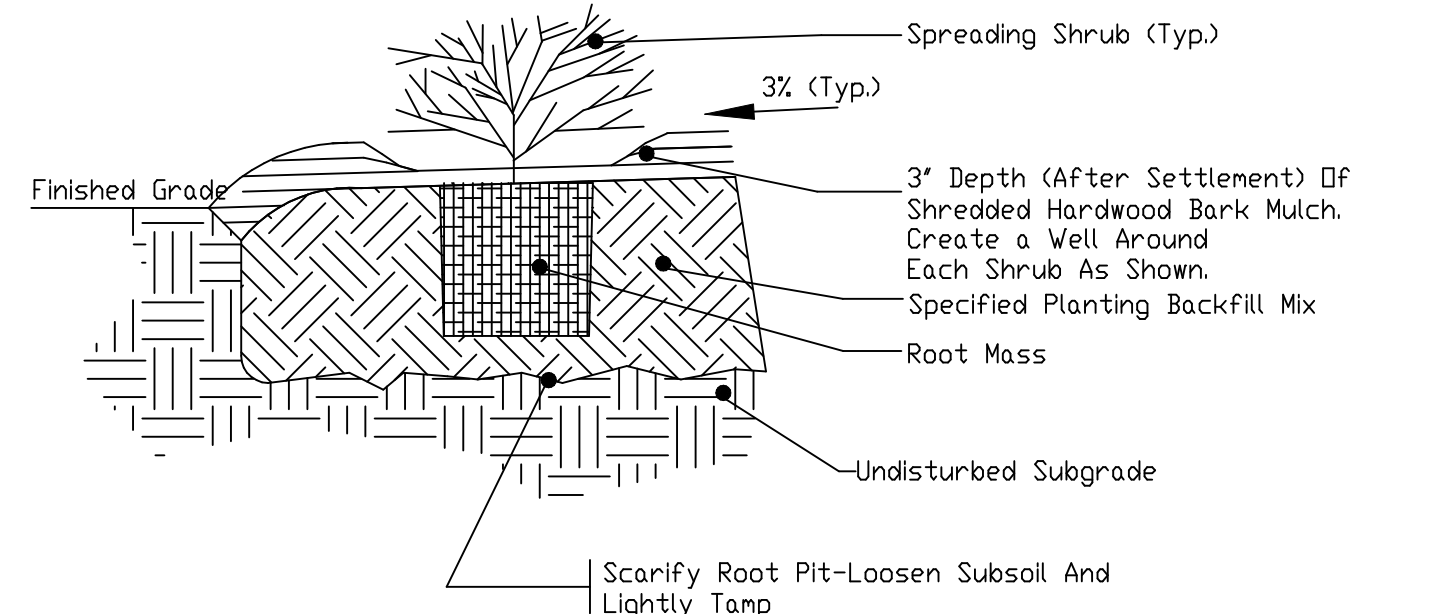
EXAMPLE: DSX0 LED 40C 1000 40K T3M MVOLT 5FA DDDDD

Code	Qty	Material	Color Temperature	Beam Spread	Mounting
DSX0	100	40C	1000	40K	T3M

LITHONIA LIGHTIG POLE MOUNTED FIXTURE
"D" SERIES -DSX0 LED 20C 700 AMBPC T4M MVOLT
SPA-8" MOUNTING HT.



ADDITIONAL EQUIPMENT:
DSX0 PERSISLER - 3" x 3" 50 STEEL POLE
PROPOSED POLES MEET 100 MPH SUSTAINED WINDS



- NOTE:
1. Crown Of Root Mass To Be Slightly Above Existing Grade. If Drainage Is Questionable Notify Landscape Architect Immediately For Decision.
 2. For Bare Root Shrubs: Thin Branches And Foliage (Not All End Tips) By 1/3 Retaining Normal Plant Shape. (Bare Root Plants Only).
 3. For Container Shrubs: Remove Pot, Check Root System. If There Are Any Signs Of Being Root Bound, Slash Root Mass (With A Sharp Knife) Vertically In 4 Equidistant Locations.
 4. For Balled And Burlapped Shrubs: Remove Collar Ropes And Top 1/3 Of Burlap.
 5. Crown Or Slope All Shrub Beds To Assure A Min. Pitch Of 3%.
 6. All plant beds to receive a minimum of 9 inches of topsoil (settled)

PREPARED BY:	REVISIONS	LIGHTING & LANDSCAPING PLAN
EDWARD S. DEC	1 Dec. 11, 2019	495 - 497 SPRINGFIELD AVENUE TOWNSHIP OF BERKELEY HEIGHTS, UNION CO., N.J. BEING ALSO KNOWN AS LOTS 14 & 15, BLOCK 206 AS DESIGNATED ON THE TAX MAP OF THE TOWNSHIP OF BERKELEY HEIGHTS, UNION CO., N.J.
	2 MAY 20, 2020	
	3 APR. 2, 2021	
		GUARRIELLO & DEC ASSOC. LLC CIVIL ENGINEERS AND LAND SURVEYORS 131 NORTH MICHIGAN AVENUE P.O. BOX 208 KENILWORTH, N.J. 07033
		TEL-908-620-1139 FAX-908-620-1102
		SCALE 1" = 10' DATE Sept. 14, 2019 JOB # B55-15 SHEET # 4 OF 5

N.J. PROFESSIONAL ENGINEER AND LAND SURVEYOR # 24GB03897400 CERTIFICATE OF AUTH. # 24GA28048500